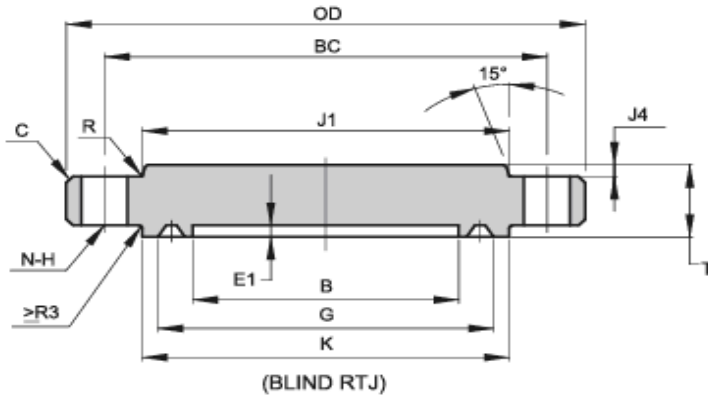


API 6A TYPE 6BX 3000 PSI BLIND FLANGES



Size	OD	C	E1	G	K	T	J1	J4	R	BC	N	H	BX
26 3/4"	1100	6	21.4	774.2	832	161.2	870	0	16	1000	24	54	168
30"	1185	6	23	862.3	922	167.1	970	12.7	16	1091	32	51	303

Note:

1. RING NUMBER BX,
2. C should be the max value
3. Tolerance and Ring Gasket according to API 6A-20TH